

1401 Subroutine #5  
E. Melichar  
Revised March 1, 1962

## DISK OPERATION AND ERROR SUBROUTINE

### Sector, Move Mode

The Disk Operation and Error Subroutine for Sector, Move Mode, is similar to Subroutine #4, except that it is used for sector (200-digit) rather than full track (1,000-digit) operations. Matters pertaining to core space requirements and modifications are identical to those specified in the description of Subroutine #4. It is unlikely that Subroutines #4 and #5 would be used in the same program, but this can be done if the position of the second Group Mark Word Mark is shifted whenever the operation changes from sector to full track or vice versa.

The Subroutine is entered by the following branch instructions:

B SEEKSC	Seek Sector
B READSC	Read Sector
B WRITSC	Write Sector and Write Disk Check
B SKRDSC	Seek Sector and Read Sector
B SKWTSC	Seek Sector, Write Sector, and Write Disk Check

PG LIN CNT LOC LABEL OP A ADJ X B ADJ XD COM

```

1 000      0 *0      ORG 0333
  10      SEEKSC SBR TOMAIN /003      DISK SUBROUTINE
  20      8 0333 SKDKYY MCW %F0      RA      -007 R SECTOR
  30      5 0341      B TEST9Y      N MOVE MODE
  40      1 0346      NOP      SUBROUTINE #5
  50      4 0347 BSEEKY B BLANCT
  60      1 0351      NOP
  70      4 0352 BREADY B RDDKYY
  80      4 0356      B WRITEY
  85      8 0360 DKCKYY MCW %F3      RA      -007 W
  90      8 0368 TEST9Y B HALTTY      COUNYY      9
 100     7 0376      A ONEYYY      COUNYY
 110     4 0383      B SKDKYY
 120     1 0387 HALTTY H      DISK ERROR HALT
 130      READSC SBR TOMAIN /003
 135     4 0388      CW BSEEKY
 140     8 0392 RDDKYY MCW %F1      RA      -007 R
 151     4 0400      B TESTYY
 153      WRITSC SBR TOMAIN /003
 155     7 0404      CW BSEEKY      BREADY
 160     7 0411 WRITEY C RA      -001 HIGHTK
 161     5 0418      B HALTTY      T
 162     7 0423      C RA      -001 LOWTK
 163     5 0430      B HALTTY      U
 164     8 0435      MCW %F1      RA      -007 W
 165     5 0443      B DKCKYY      Y
 170     8 0448      MCW %F3      RA      -007 W
 181     5 0456 TESTYY B TEST9Y      Y
 190     7 0461 BLANCT MCW ONEYYY      COUNYY
 200      SW BSEEKY      BREADY
 210     4 0468 TOMAIN B 0000
 280      SKRDSC SBR TOMAIN /003
 290     4 0472      CW BSEEKY
 300     4 0476      B SKDKYY
 310      SKWTSC SBR TOMAIN /003
 320     7 0480      CW BSEEKY      BREADY
 330     4 0487      B SKDKYY
 340     4 0491 COUNYY DCW *
 350     4 0495 ONEYYY DCW *      1

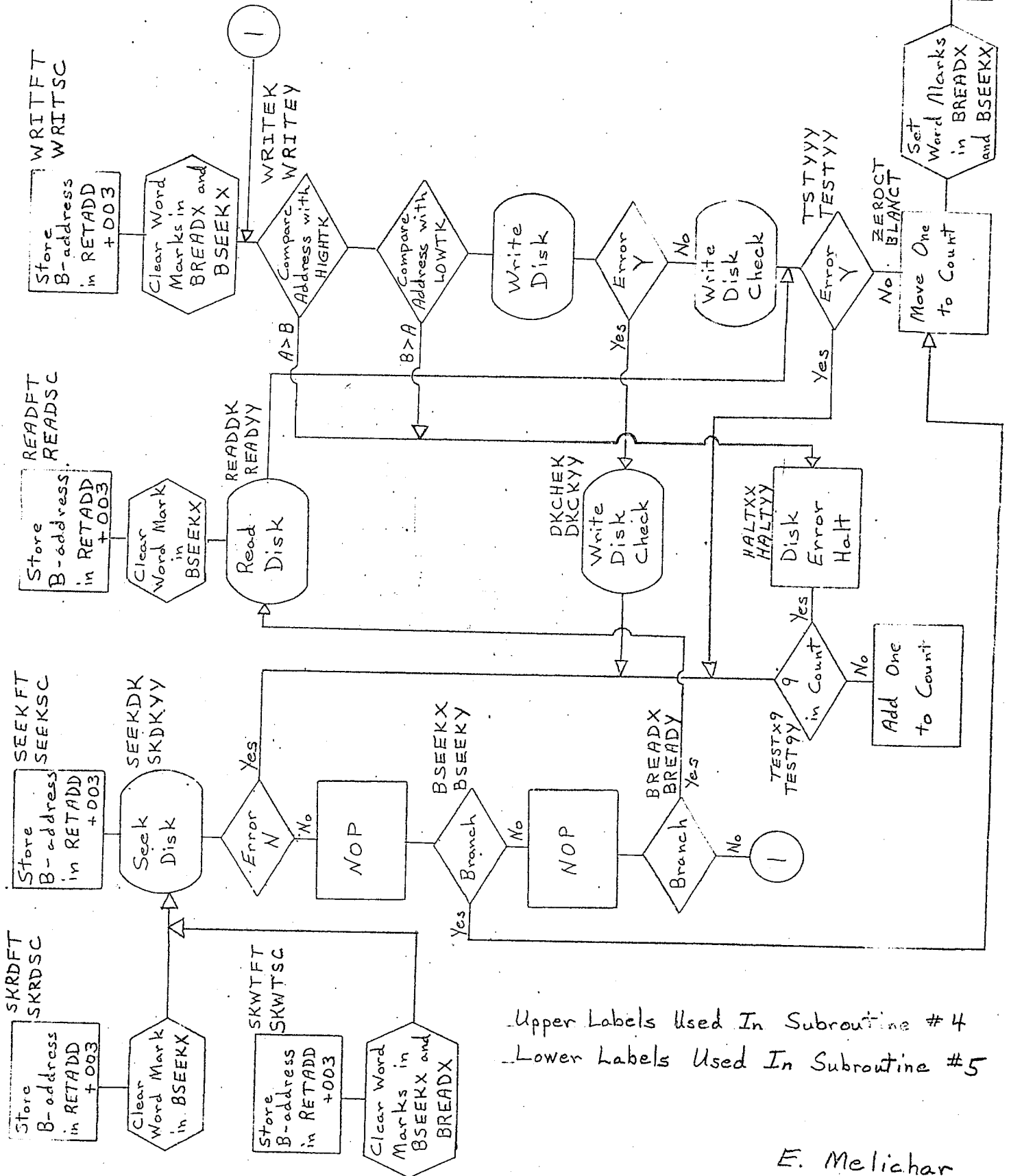
```

39 0166 0499 18

6 0000

# Disk Operation and Error Subroutines

Subroutine #4, Full Track, Move Mode  
 Subroutine #5, Sector, Move Mode

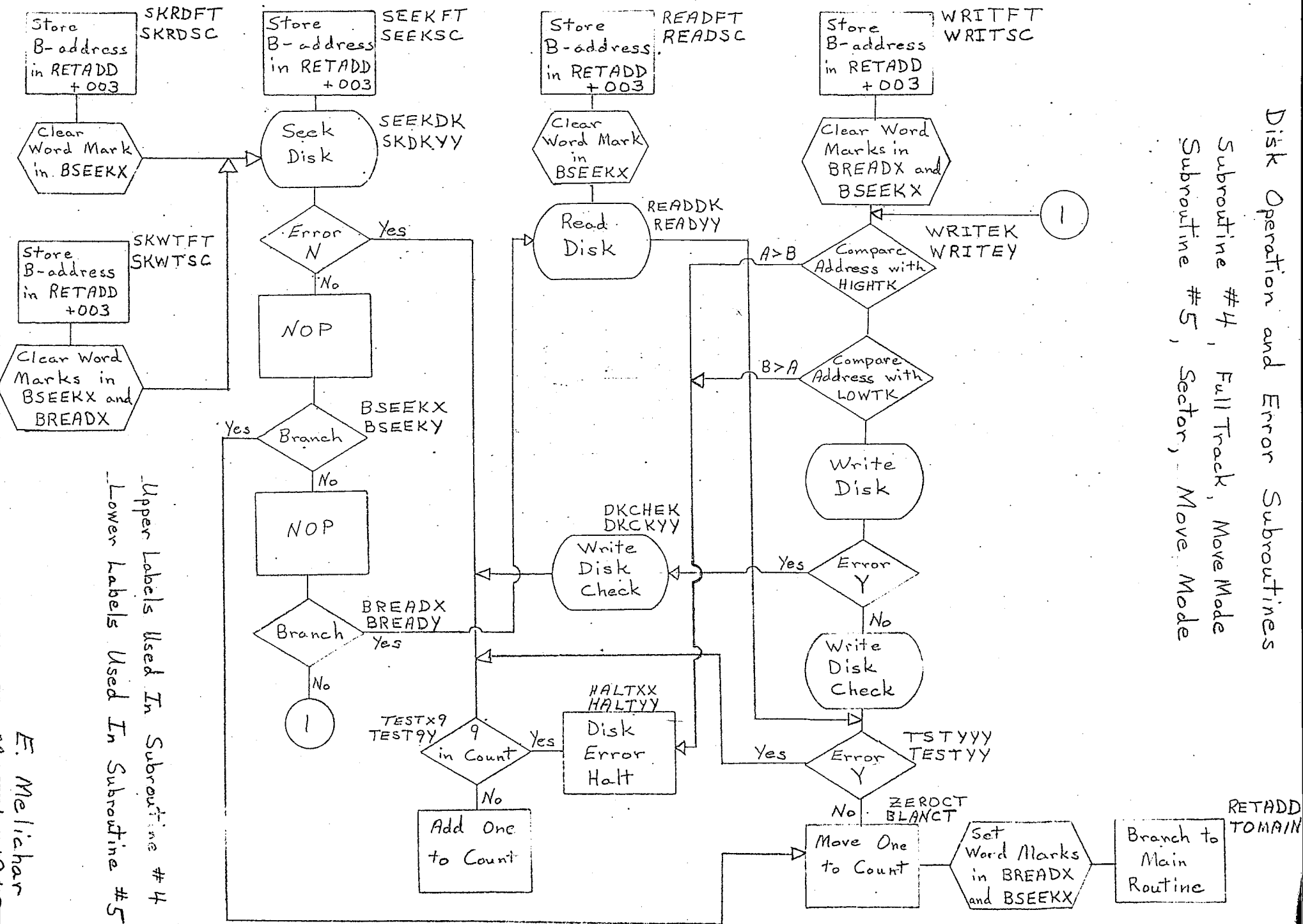


Upper Labels Used In Subroutine #4  
 Lower Labels Used In Subroutine #5

E. Melichar  
 May 1, 1962

# Disk Operation and Error Subroutines

Subroutine #4, Full Track, Move Mode  
 Subroutine #5, Sector, Move Mode



Upper Labels Used In Subroutine #4  
 Lower Labels Used In Subroutine #5

E. Melichar

PRECAUTION

For computers with the indexing feature and with less than 16,000 digits of core storage, the Subroutine should be assembled between locations 1 and 999.